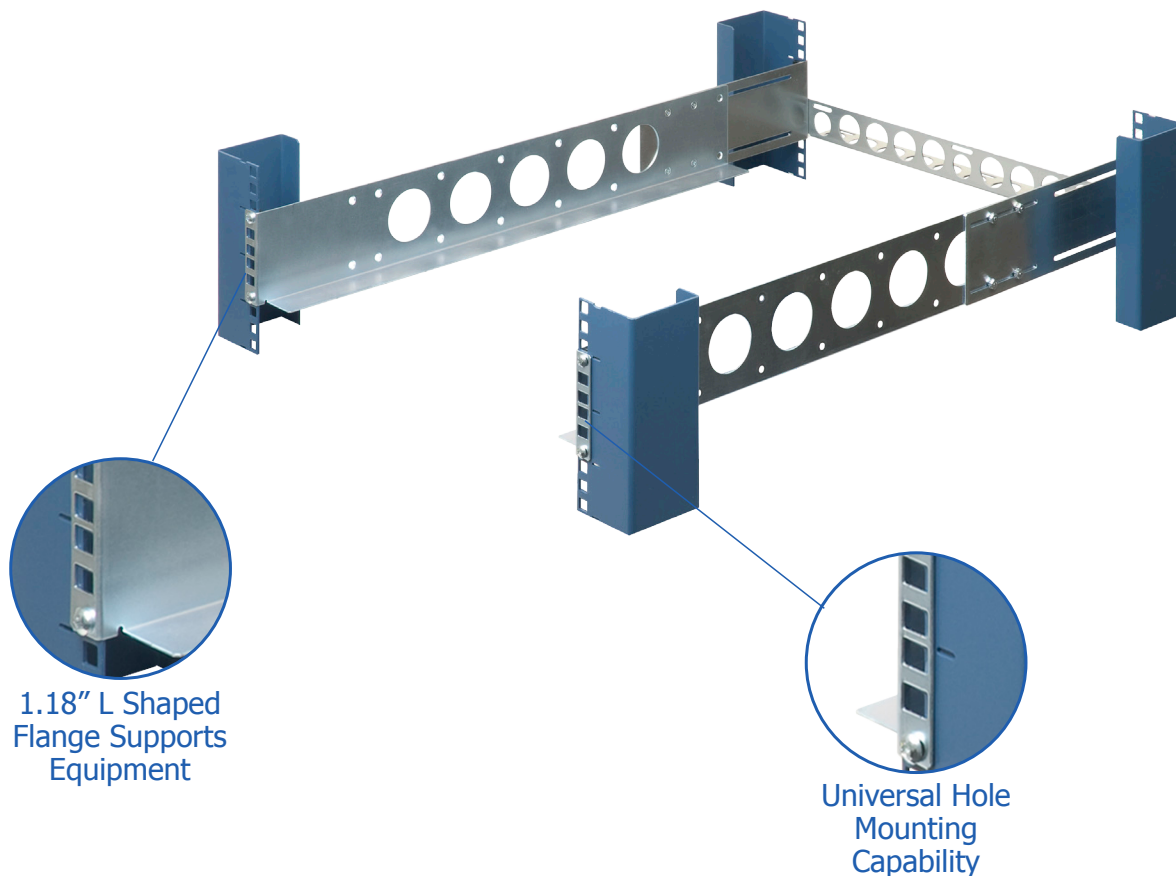


Universal Rails Rail Model 109



1.18" L Shaped
Flange Supports
Equipment

Universal Hole
Mounting
Capability

DESCRIPTION

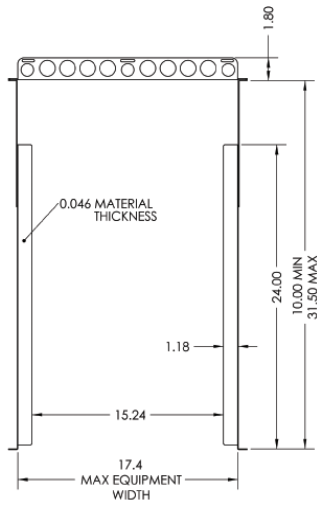
The Rack Solutions Universal Server Rack Rails come in either 1U, 2U, or 3U+ sizes, with weight capacities of 45, 75 and 200 pounds, respectively. The universal rails are designed to replace OEM rails included with Apple, HP, IBM and Dell server racks, providing a flexible solution for damaged server rack rails or OEM slide rails. The product is designed to support a variety of server racks, and is compatible with setups requiring standard square, rounded and threaded holes.

WHAT'S INCLUDED

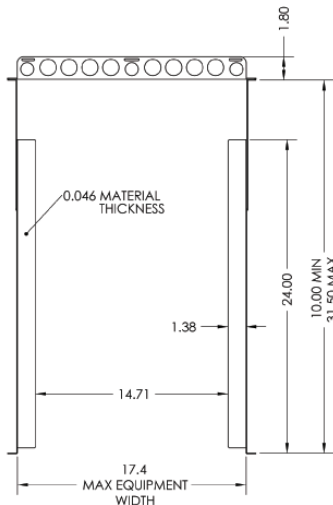
- Screws
- Cage-nuts and nuts for all rack types
- Cable management bar
- Velcro strips

P/N	DESCRIPTION
1UKIT-109	1U, Universal Rack Rails
2UKIT-109	2U, Universal Rack Rails
3UKIT-109	3U, Universal Rack Rails

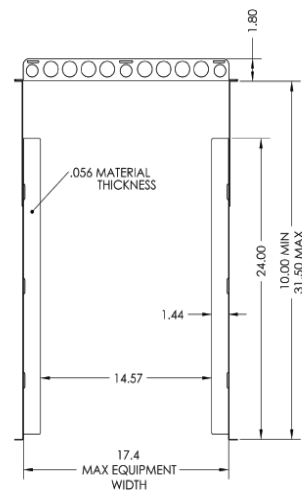




1U



2U



3U

TECHNICAL SPECIFICATIONS

Rail OEM

- All Purpose

Server Compatibility

- Apple, Dell, HP and IBM

Rack Type

- Mounts in any type of 4Post rack
- 2Post versions are also available

Hole Type

- Compatible with the industry standard 3/8" square hole racks
- Cage nuts included for square hole mounting
- Compatible with all standard round (non-threaded) holes
- Compatible with all standard threads including 10-32, 12-24 and metric M6

Rail Type

- Fixed

Rack Units

- 1U, 2U or 3U

Mounting Depth Range

- 10" - 31.75" (254 - 806 mm)

Equipment Width

- *Maximum: 17.4" (442 mm)
- 1U Minimum: 16.625" (422 mm)
- 2U Minimum: 16.375" (416 mm)
- 3U Minimum: 16.75" (413 mm)

*Maximum equipment width allowed is based on worst case conditions. Wider equipment may fit depending on the mounting configuration and/or actual equipment dimensions. Please contact technical support for further assistance.

Equipment Depth

- The rack rails support flange is 23.5" (597 mm) long.
- The rack rail will support servers computers or equipment up to 35" (889 mm) deep.

Weight Capacity

- 1U: 45 lbs (20.4 kgs)
- 2U: 75 lbs (34 kgs)
- 3U: 200 lbs (90.7 kgs)

Overall Installation Depth

- Maximum overall depth is the same as the rack's mounting depth

Cable Management

- Cabling crossbar is standard

Finish

- Zinc plated

Assembly Notes

- Ships un-assembled